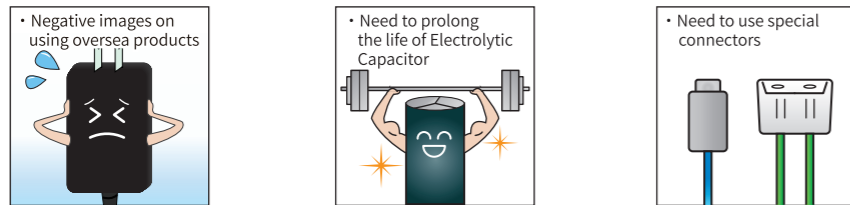
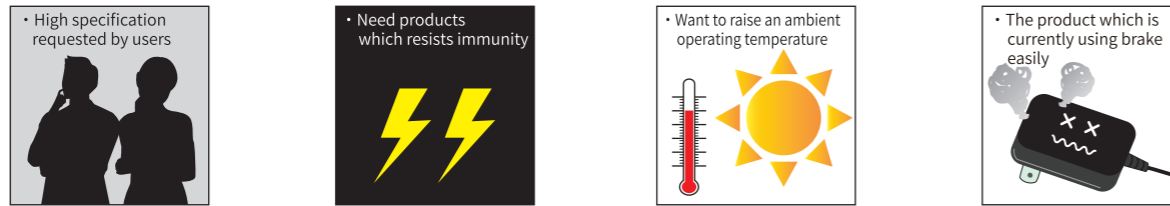


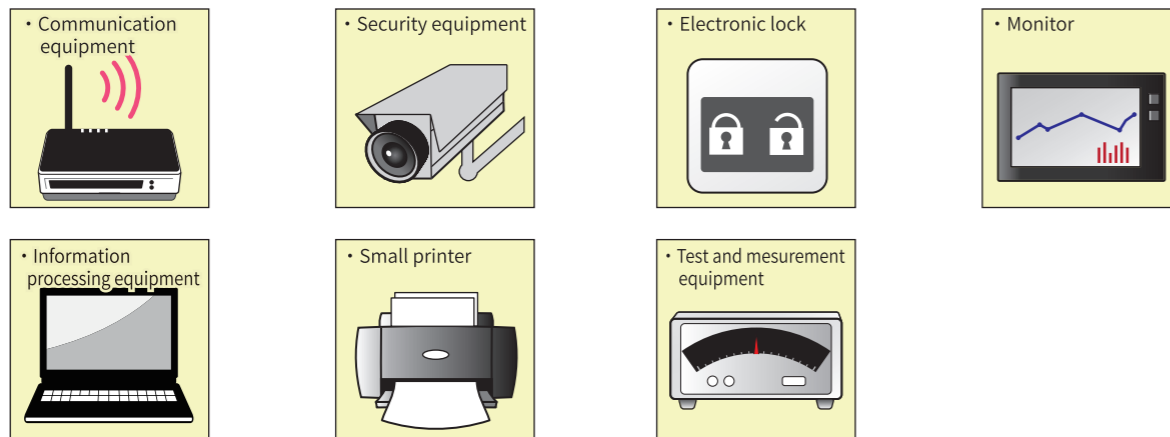
SWITCHING AC ADAPTORS

KSW series

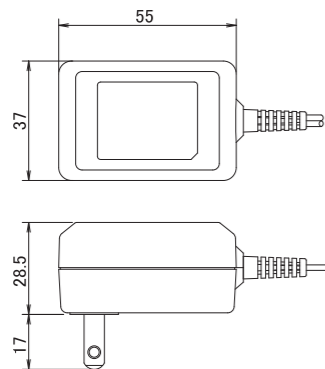
Do you need help with anything?



Application



KSW04

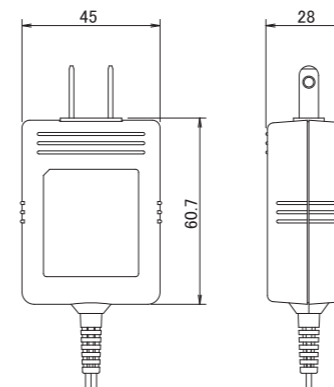


ITEM	MODEL NAME	KSW0508	KSW1204
Rated output voltage	V	5	12
Rated output current	A	0.8	0.35
Minimum output current	A	0	0
Maximum output power	W	4	4.2
Input voltage	VAC	90 ~ 110	
Input frequency	Hz	47 ~ 63	
Efficiency	%	70 typ.[at the rated input-output]	
Ripple noise	mVp-p	200 max.[Output terminal is loaded with 100 μ F]	
Ambient temperature(operating)	$^{\circ}$ C	0 ~ +40	
Ambient humidity(operating)	%RH	10 ~ 90	
Storage temperature	$^{\circ}$ C	0 ~ +70	
Storage humidity	%RH	10 ~ 90	
Withstand voltage	—	Primary-Secondary 1.5kV AC for one minute.	
Insulation resistance	—	Primary-Secondary 50M Ω min.DC 500V.	

Specifications are subject to change for improvement without notice.

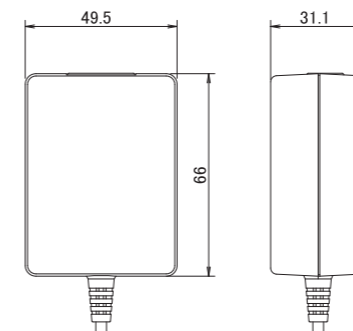
SWITCHING AC ADAPTORS

KSW05



ITEM	MODEL NAME	KSW510	KSW906	KSW1205	KSW1504
Rated output voltage	V	5	9	12	15
Rated output current	A	1	0.6	0.5	0.4
Minimum output current	A	0			
Maximum output power	W	5	5.4	6	6
Input voltage	VAC	90 ~ 132			
Input frequency	Hz	47 ~ 63			
Inrush current	A	30 max.(Cold start)			
Efficiency	%	70 typ.[at the rated input-output]			
Input-output regulation	%	\pm 10max.			
Ripple noise	mVp-p	200 max.[Output terminal is loaded with 100 μ F]			
Hold-up time	msec.	10 min.[at the input 100V]			
Overcurrent protection	—	Provided[Output short circuit protection]			
Overvoltage protection	—	Provided			
Ambient temperature(operating)	$^{\circ}$ C	0 ~ +40			
Ambient humidity(operating)	%RH	10 ~ 90			
Storage temperature	$^{\circ}$ C	-10 ~ +70			
Storage humidity	%RH	10 ~ 90			
Withstand voltage	—	Primary-Secondary 1.5kV AC for one minute.			
Insulation resistance	—	Primary-Secondary 50M Ω min. DC 500V.			

KSW05W

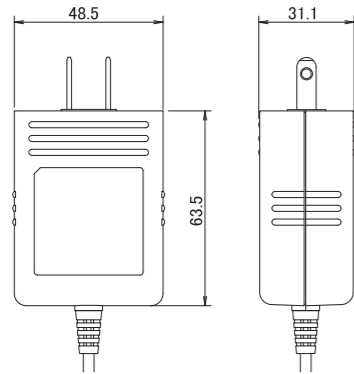


ITEM	MODEL NAME	KSW510W	KSW906W	KSW1205W	KSW1504W
Rated output voltage	V	5	9	12	15
Rated output current	A	1	0.6	0.5	0.4
Minimum output current	A	0			
Maximum output power	W	5	5.4	6	6
Input voltage	VAC	90 ~ 264			
Input frequency	Hz	47 ~ 63			
Inrush current	A	30 max.(Cold start)			
Efficiency	%	70 typ.[at the rated input-output]			
Input-output regulation	%	\pm 10max.			
Ripple noise	mVp-p	200 max.[Output terminal is loaded with 100 μ F]			
Hold-up time	msec.	10 min.[at the input 100V]			
Overcurrent protection	—	Provided[Output short circuit protection]			
Overvoltage protection	—	Provided			
Ambient temperature(operating)	$^{\circ}$ C	0 ~ +40			
Ambient humidity(operating)	%RH	10 ~ 90			
Storage temperature	$^{\circ}$ C	-10 ~ +70			
Storage humidity	%RH	10 ~ 90			
Withstand voltage	—	Primary-Secondary 3kV AC for one minute.			
Insulation resistance	—	Primary-Secondary 50M Ω min. DC 500V.			

Specifications are subject to change for improvement without notice.

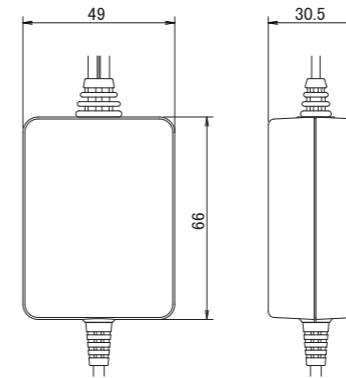
SWITCHING AC ADAPTORS

KSW10



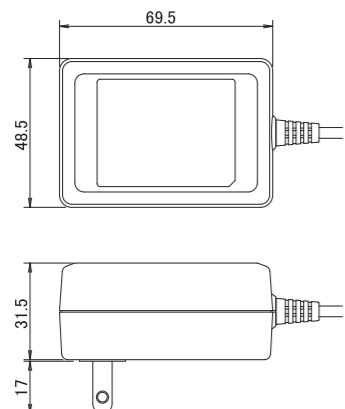
ITEM	MODEL NAME	KSW523U	KSW620U	KSW913U	KSW1012U	KSW1210U	KSW1508U
Rated output voltage	V	5	6	9	10	12	15
Rated output current	A	2.3	2.0	1.3	1.2	1.0	0.8
Minimum output current	A	0					
Maximum output power	W	11.5	12.0	11.7	12.0	12.0	12.0
Input voltage	VAC	90~132					
Input frequency	Hz	47~63					
Inrush current	A	30 max.(Cold start)					
Efficiency	%	80 typ.[at the rated input-output]					
Input-output regulation	%	±10max.					
Ripple noise	mVp-p	200 max.[Output terminal is loaded with 100μF]					
Hold-up time	msec.	10 min.[at the input 100V]					
Overcurrent protection	—	Provided[Output short circuit protection]					
Overvoltage protection	—	Provided					
Ambient temperature(operating)	°C	0~+40					
Ambient humidity(operating)	%RH	10~90					
Storage temperature	°C	-10~+70					
Storage humidity	%RH	10~90					
Withstand voltage	—	Primary-Secondary 1.5kV AC for one minute.					
Insulation resistance	—	Primary-Secondary 50MΩ min. DC 500V.					

KSW10C



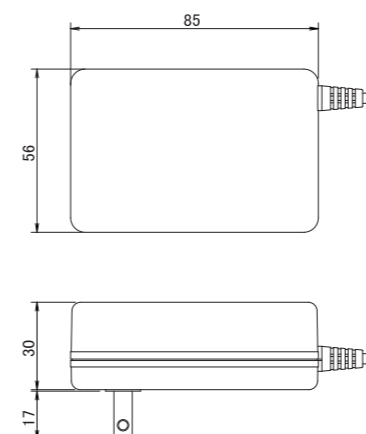
ITEM	MODEL NAME	KSW523C	KSW913C	KSW1012C	KSW1210C	KSW1508C
Rated output voltage	V	5	9	10	12	15
Rated output current	A	2.3	1.3	1.2	1.0	0.8
Minimum output current	A	0				
Maximum output power	W	11.5	11.7	12.0	12.0	12.0
Input voltage	VAC	90~110				
Input frequency	Hz	47~63				
Inrush current	A	30 max.(Cold start)				
Efficiency	%	80 typ.[at the rated input-output]				
Input-output regulation	%	±10max.				
Ripple noise	mVp-p	200 max.[Output terminal is loaded with 100μF]				
Hold-up time	msec.	10 min.[at the input 100V]				
Overcurrent protection	—	Provided[Output short circuit protection]				
Overvoltage protection	—	Provided				
Ambient temperature(operating)	°C	0~+40				
Ambient humidity(operating)	%RH	10~90				
Storage temperature	°C	-10~+70				
Storage humidity	%RH	10~90				
Withstand voltage	—	Primary-Secondary 1.5kV AC for one minute.				
Insulation resistance	—	Primary-Secondary 50MΩ min. DC 500V.				

KSW10H



ITEM	MODEL NAME	KSW523H	KSW913H	KSW1012H	KSW1210H	KSW1508H
Rated output voltage	V	5	9	10	12	15
Rated output current	A	2.3	1.3	1.2	1.0	0.8
Minimum output current	A	0				
Maximum output power	W	11.5	11.7	12.0	12.0	12.0
Input voltage	VAC	90~132				
Input frequency	Hz	47~63				
Inrush current	A	30 max.(Cold start)				
Efficiency	%	80 typ.[at the rated input-output]				
Input-output regulation	%	±10max.				
Ripple noise	mVp-p	200 max.[Output terminal is loaded with 100μF]				
Hold-up time	msec.	10 min.[at the input 100V]				
Overcurrent protection	—	Provided[Output short circuit protection]				
Overvoltage protection	—	Provided				
Ambient temperature(operating)	°C	0~+40				
Ambient humidity(operating)	%RH	10~90				
Storage temperature	°C	-10~+70				
Storage humidity	%RH	10~90				
Withstand voltage	—	Primary-Secondary 1.5kV AC for one minute.				
Insulation resistance	—	Primary-Secondary 50MΩ min. DC 500V.				

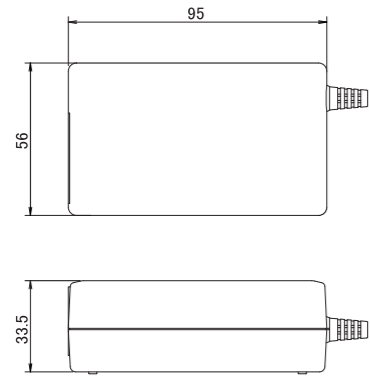
KSW15



ITEM	MODEL NAME	KSW623	KSW916	KSW1213	KSW1510
Rated output voltage	V	6	9	12	15
Rated output current	A	2.3	1.6	1.25	1
Minimum output current	A	0			
Maximum output power	W	13.8	14.4	15.0	15.0
Input voltage	VAC	90~132			
Input frequency	Hz	47~63			
Inrush current	A	30 max.(Cold start)			
Efficiency	%	80 typ.[at the rated input-output]			
Input-output regulation	%	±10max.			
Ripple noise	mVp-p	200 max.[Output terminal is loaded with 100μF]			
Hold-up time	msec.	10 min.[at the input 100V]			
Overcurrent protection	—	Provided[Output short circuit protection]			
Overvoltage protection	—	Provided			
Ambient temperature(operating)	°C	0~+40			
Ambient humidity(operating)	%RH	10~90			
Storage temperature	°C	-10~+70			
Storage humidity	%RH	10~90			
Withstand voltage	—	Primary-Secondary 1.5kV AC for one minute.			
Insulation resistance	—	Primary-Secondary 50MΩ min. DC 500V.			

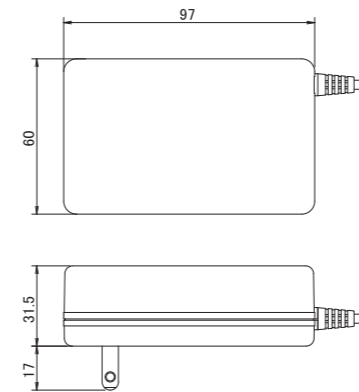
SWITCHING AC ADAPTORS

KSW15W3



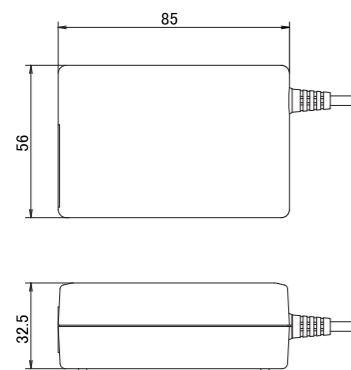
ITEM	MODEL NAME	KSW0530W3	KSW0917W3	KSW1213W3	KSW1511W3
Rated output voltage	V	5	9	12	15
Rated output current	A	3.0	1.7	1.3	1.06
Minimum output current	A	0.1			
Maximum output power	W	15	15.3	15.6	15.9
Input voltage	VAC	90~264			
Input frequency	Hz	47~63			
Inrush current	A	30 max.(Cold start)			
Efficiency	%	70 typ.[at the rated input-output]			
Input-output regulation	%	±10max.			
Ripple noise	mVp-p	150 max.[Output terminal is loaded with 100μF]			
Hold-up time	msec.	10 min.[at the input 100V]			
Overcurrent protection	—	Provided[Output short circuit protection]			
Overvoltage protection	—	Provided			
Ambient temperature(operating)	°C	0~+40			
Ambient humidity(operating)	%RH	10~90			
Storage temperature	°C	-10~+70			
Storage humidity	%RH	10~90			
Withstand voltage	—	Primary-Secondary 3kV AC for one minute.			
Insulation resistance	—	Primary-Secondary 50MΩ min. DC 500V.			

KSW25



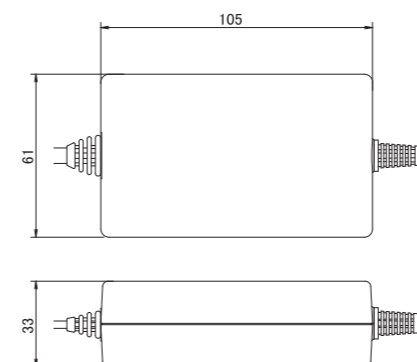
ITEM	MODEL NAME	KSW927	KSW1220	KSW1516
Rated output voltage	V	9	12	15
Rated output current	A	2.7	2	1.6
Minimum output current	A	0		
Maximum output power	W	24.3	24.0	24.0
Input voltage	VAC	90~132		
Input frequency	Hz	47~63		
Inrush current	A	30 max.(Cold start)		
Efficiency	%	80 typ.[at the rated input-output]		
Input-output regulation	%	±10max.		
Ripple noise	mVp-p	200 max.[Output terminal is loaded with 100μF]		
Hold-up time	msec.	10 min.[at the input 100V]		
Overcurrent protection	—	Provided[Output short circuit protection]		
Overvoltage protection	—	Provided		
Ambient temperature(operating)	°C	0~+40		
Ambient humidity(operating)	%RH	10~90		
Storage temperature	°C	-10~+70		
Storage humidity	%RH	10~90		
Withstand voltage	—	Primary-Secondary 1.5kV AC for one minute.		
Insulation resistance	—	Primary-Secondary 50MΩ min. DC 500V.		

KSW20W



ITEM	MODEL NAME	KSW530W	KSW920W	KSW1216W	KSW1514W
Rated output voltage	V	5	9	12	15
Rated output current	A	3	2	1.6	1.4
Minimum output current	A	0			
Maximum output power	W	15	18	19.2	21
Input voltage	VAC	90~264			
Input frequency	Hz	47~63			
Inrush current	A	30 max.(Cold start)			
Efficiency	%	80 typ.[at the rated input-output]			
Input-output regulation	%	±10max.			
Ripple noise	mVp-p	200 max.[Output terminal is loaded with 100μF]			
Hold-up time	msec.	5 min.[at the input 100V]			
Overcurrent protection	—	Provided[Output short circuit protection]			
Overvoltage protection	—	Provided			
Ambient temperature(operating)	°C	0~+40			
Ambient humidity(operating)	%RH	10~90			
Storage temperature	°C	-10~+70			
Storage humidity	%RH	10~90			
Withstand voltage	—	Primary-Secondary 3kV AC for one minute.			
Insulation resistance	—	Primary-Secondary 50MΩ min. DC 500V.			

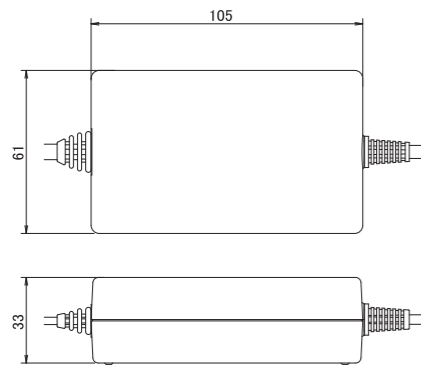
KSW25C



ITEM	MODEL NAME	KSW530C	KSW927C	KSW1220C	KSW1516C	KSW2410C
Rated output voltage	V	5	9	12	15	24
Rated output current	A	3	2.7	2	1.6	1
Minimum output current	A	0				
Maximum output power	W	15.0	24.3	24.0	24	24
Input voltage	VAC	90~110				
Input frequency	Hz	47~63				
Inrush current	A	30 max.(Cold start)				
Efficiency	%	80 typ.[at the rated input-output]				
Input-output regulation	%	±10max.				
Ripple noise	mVp-p	200 max.[Output terminal is loaded with 100μF]				
Hold-up time	msec.	10 min.[at the input 100V]				
Overcurrent protection	—	Provided[Output short circuit protection]				
Overvoltage protection	—	Provided				
Ambient temperature(operating)	°C	0~+40				
Ambient humidity(operating)	%RH	10~90				
Storage temperature	°C	-10~+70				
Storage humidity	%RH	10~90				
Withstand voltage	—	Primary-Secondary 1.5kV AC for one minute.				
Insulation resistance	—	Primary-Secondary 50MΩ min. DC 500V.				

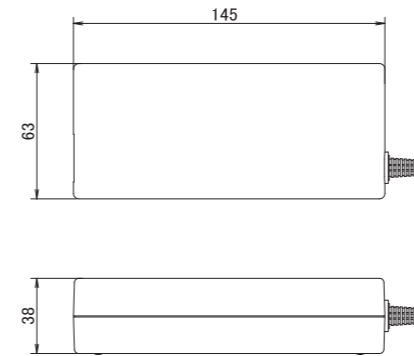
SWITCHING AC ADAPTORS

KSW36C



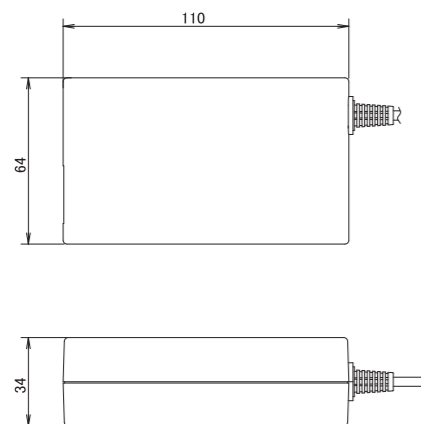
ITEM	MODEL NAME	KSW1230C	KSW1524C
Rated output voltage	V	12	15
Rated output current	A	3	2.4
Minimum output current	A	0	
Maximum output power	W	36	
Input voltage	VAC	90 ~ 110	
Input frequency	Hz	47 ~ 63	
Inrush current	A	30 max.(Cold start)	
Efficiency	%	80 typ.[at the rated input-output]	
Input-output regulation	%	±10 max.	
Ripple noise	mVp-p	200 max.[Output terminal is loaded with 100μF]	
Hold-up time	msec.	10 min.[at the input 100V]	
Overcurrent protection	—	Provided[Output short circuit protection]	
Overvoltage protection	—	Provided	
Ambient temperature(operating)	℃	0 ~ +40	
Ambient humidity(operating)	%RH	10 ~ 90	
Storage temperature	℃	-10 ~ +70	
Storage humidity	%RH	10 ~ 90	
Withstand voltage	—	Primary-Secondary 1.5kV AC for one minute.	
Insulation resistance	—	Primary-Secondary 50MΩ min. DC 500V.	

KSW72W



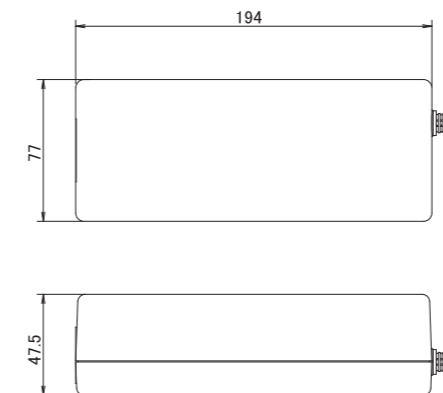
ITEM	MODEL NAME	KSW2430
Rated output voltage	V	24
Rated output current	A	3.0
Minimum output current	A	0
Maximum output power	W	72
Input voltage	VAC	90 ~ 264
Input frequency	Hz	47 ~ 63
Efficiency	%	85 typ.[at the rated input-output]
Input-output regulation	%	±10max.
Ripple noise	mVp-p	500 max.[Output terminal is loaded with 100μF]
Hold-up time	msec.	10 min.[at the input 100V]
Overcurrent protection	—	Provided[Output short circuit protection]
Overvoltage protection	—	Provided
Ambient temperature(operating)	℃	0 ~ +40
Ambient humidity(operating)	%RH	10 ~ 90
Storage temperature	℃	-10 ~ +70
Storage humidity	%RH	10 ~ 90
Withstand voltage	—	Primary-Secondary 3kV AC for one minute.
Insulation resistance	—	Primary-Secondary 50MΩ min. DC 500V.

KSW40W



ITEM	MODEL NAME	KSW1230W	KSW1524W
Rated output voltage	V	12	15
Rated output current	A	3	2.4
Minimum output current	A	0	
Maximum output power	W	36	
Input voltage	VAC	90 ~ 264	
Input frequency	Hz	47 ~ 63	
Efficiency	%	80 typ.[at the rated input-output]	
Input-output regulation	%	±10 max.	
Ripple noise	mVp-p	200 max.[Output terminal is loaded with 100μF]	
Hold-up time	msec.	10 min.[at the input 100V]	
Overcurrent protection	—	Provided[Output short circuit protection]	
Overvoltage protection	—	Provided	
Ambient temperature(operating)	℃	0 ~ +40	
Ambient humidity(operating)	%RH	10 ~ 90	
Storage temperature	℃	-10 ~ +70	
Storage humidity	%RH	10 ~ 90	
Withstand voltage	—	Primary-Secondary 3kV AC for one minute.	
Insulation resistance	—	Primary-Secondary 50MΩ min. DC 500V.	

KSW120W



ITEM	MODEL NAME	KSW2450W	KSW4827W
Rated output voltage	V	24	48
Rated output current	A	5	2.7
Minimum output current	A	0	
Maximum output power	W	120	130
Input voltage	VAC	90 ~ 264	
Input frequency	Hz	47 ~ 63	
Efficiency	%	85 typ.[at the rated input-output]	
Input-output regulation	%	±10max.	
Ripple noise	mVp-p	500 max.[Output terminal is loaded with 100μF]	
Hold-up time	msec.	10 min.[at the input 100V]	
Overcurrent protection	—	Provided[Output short circuit protection]	
Overvoltage protection	—	Provided	
Ambient temperature(operating)	℃	0 ~ +40	
Ambient humidity(operating)	%RH	10 ~ 90	
Storage temperature	℃	-10 ~ +70	
Storage humidity	%RH	10 ~ 90	
Withstand voltage	—	Primary-Secondary 1kV AC for one minute.	
Insulation resistance	—	Primary-Secondary 50MΩ min. DC 500V.	

AC ADAPTORS

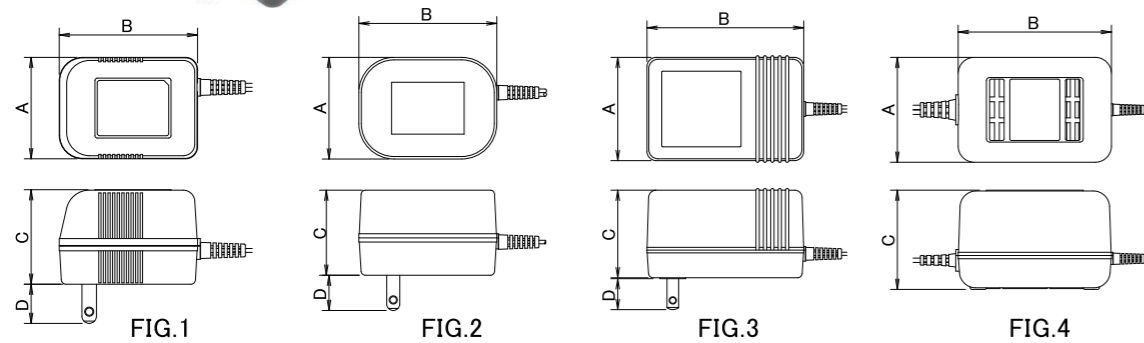
Features

- AC adaptor with high quality and high reliability.
- Excellent economic efficiency.
- Having already attained PSE standard.
- Wide lineup from output 2W to output 12W.

トランス式アダプタです。
 経済性に優れ、高品質で信頼性も高いACアダプタです。
 PSE規格を取得しており出力2Wから12Wまでラインナップ
 しております。



Model	A	B	C	D	OUTPUT(W)	Fig
AP3512	45.0	61.0	41.5	17.0	2.0	1
AP4115	49.0	66.5	41.5	17.0	4.0	2
AP4119	49.0	70.5	41.5	17.0	5.0	2
AP4124	49.0	77.5	41.5	17.0	6.0	2
AP4825	58.0	85.0	48.0	17.0	9.0	3
AP5422	65.5	95.5	61.0	—	12.0	4

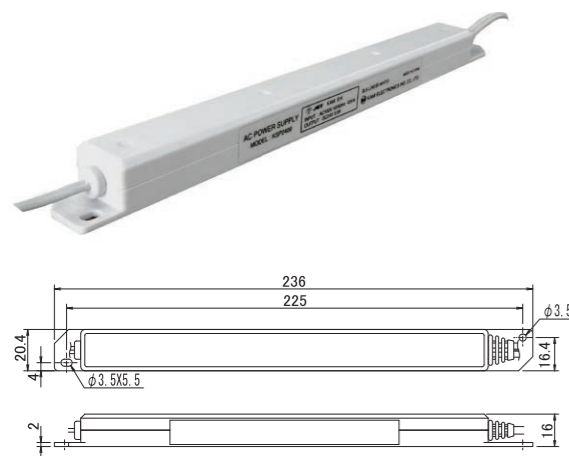


SWITCHING POWER SUPPLIES COMPACT TYPE(KSP TYPE)

Features

- Able to attain miniaturization
 (compared with our past products: 1/3).
- Suitable for installing narrow space, such as under-shelf
 light and showcase etc.
- Having already attained PSE standard (input: AC100V).

業界最小、最軽量、当社従来品比1/3の小型化を実現。
 棚下灯・ショーケースなど狭小スペースへの設置に最適。
 電気用品安全法省令第1項適合(AC100V入力)



ITEM	MODEL	KSP2409
Rated output voltage	V	24
Rated output current	A	0.9
Minimum output current	W	0
Maximum output power	W	21
Input voltage	VAC	90~110
Input frequency	Hz	47~63
Efficiency	%	80 typ.[at the rated input-output]
Ripple noise	mVrms	1000 max.[Output terminal is loaded with 100μF]
Ambient temperature(operating)	°C	0~+40
Ambient humidity(operating)	%RH	10~90
Storage temperature	°C	-10~+70
Storage humidity	%RH	10~90
Withstand voltage	—	Primary-Secondary 1kV AC for one minute.
Insulation resistance	—	Primary-Secondary 50MΩ min. DC 500V.

Specifications are subject to change for improvement without notice.